

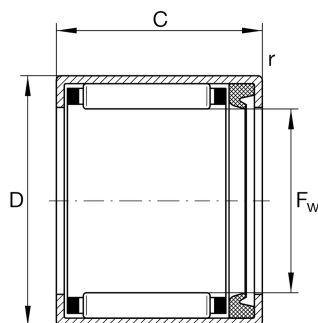
## HK1414-RS

Drawn cup needle roller bearing open end

Schaeffler ID:  
0007001690968

Drawn cup needle roller bearings with open ends HK..-RS, lip seal on one side, to DIN 618

### Technical information



#### Main Dimensions & Performance Data

$F_w$	14 mm	Under roller diameter
$D$	20 mm	Outside diameter
$C$	14 mm	Width
$C_r$	7,100 N	Basic dynamic load rating, radial
$C_{0r}$	8,500 N	Basic static load rating, radial
$C_{ur}$	1,030 N	Fatigue load limit, radial
$n_G$	10,500 1/min	Limiting speed
$n_{G \text{ Grease}}$	10,500 1/min	Limiting speed for grease lubrication
	11.469 g	Weight

#### Dimensions

$C_1$	14 mm	Width, outer ring
$r_{\min}$	0.8 mm	Minimum chamfer dimension

#### Temperature range

$T_{\min}$	-20 °C	Operating temperature min.
$T_{\max}$	100 °C	Operating temperature max.